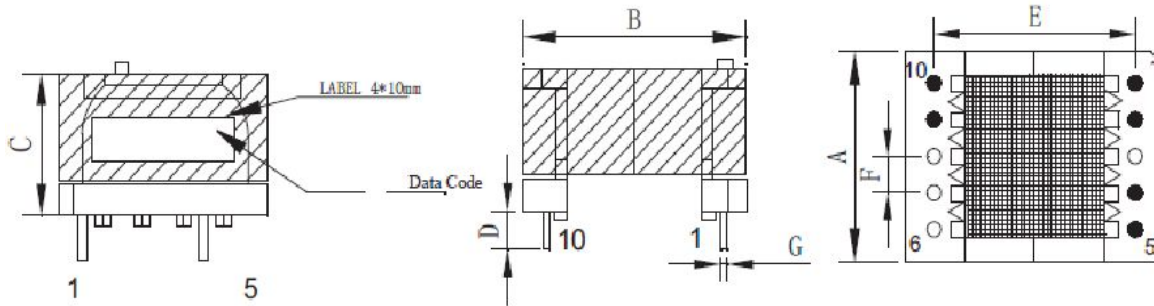


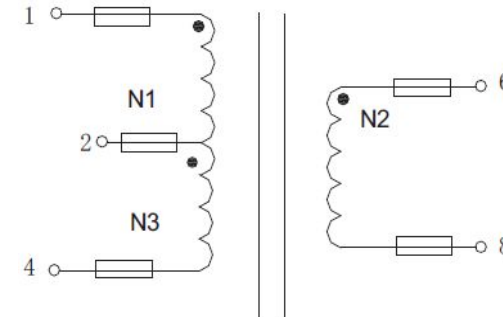
CUSTOMER TERMINAL	ROHS	Lead(Pb)-free
	YES	YES

### 1.Mechanical Dimensions



A	14.0	MAX
B	14.0	MAX
C	8.3	MAX
D	3.5	±0.5
E	10.5	±0.2
F	2.5	±0.2
G	0.6	±0.1

### 2.Schematic Diagram



### 3.Material List

Core:FW44 EPC13  
 Bobbin:FWB1311(5+5PIN)  
 Wire:2UEW TIW  
 Operating Temperature: -30 to115 °C

### 4.Electrical Specification

Inductance :  $L(1-4):1mH \pm 10\%$  80KHZ , 1.0V  
 Leakage inductance :  $L(1-4):140uH$  MAX 80KHZ , 1.0V  
 DCR : (1-4)=11.4Ω MAX  
 Hi-Pot:P-S: AC 60Hz 1500V 1mA 3S  
 P-CORE:AC 60Hz 500V 1mA 3S

REV.	DATE	 Convention Placement	DRW.	Drawing Title:  <b>TRANSFORMER</b>	Part No:  FWPTPC13H102K
0	00/00		CHK.		
			APP.		
<b>ROHS</b>		<a href="http://www.ferriwo.com">www.ferriwo.com</a>	Customer P/N	Specification Sheet 1of 1	